

PROJECT NAME: _____
 NOTES: _____

CAT. #: _____
 FIXTURE SCHEDULE: _____

LED High Bay Linear HL Select Series

Product Description

The HLS LED Highbay Linear Series offers industry leading efficacy (150lm/W), customizability with CCT select switch (4000K & 5000K) and scalability with a Wattage select model, for high ceiling applications such as warehouses, distribution centers, manufacturing facilities and big box retailers. This compact highbay covers a wide range of applications with 17,000 lumens at just 1.4 ft length, all the way up to 60,000 lumens at 3.7 ft length. The product comes integrated with a sensor port for easy in-field plug and play sensor installation, compatible with Maxlite c-Max system (DLC NLC qualified), making it attractive for large utility rebates.

Features

- V-hooks and 40" knotted chain included in standard model
- On EM mode, the fixture output is a minimum of 3750lm for 90 minutes, when fully charged
- CCT Selectable available on all wattages. Fixtures are set to 5000K as a default factory setting
- UL Listed for damp locations

Warranty

- 10 year standard

Controls Ready

MaxLite's new Controls Ready (CR) fixtures allows for quick and easy in-field installation (plug and play) of controls. Simply purchase any CR fixture and the required Controls Node and you're all set! See the accessory table for all controls options available for this fixture.

Controls Features

- Multifunction and Energy Monitoring
- Daylight Sensor
- Occupancy Sensor
- Integral Sensor Receptacle
- High-End Trim
- Bluetooth
- Luminaire Level Lighting Control (LLLC)



Ordering Information

FAMILY	-	WATTAGE	VOLTAGE	LENS	-	CCT SELECT	CONTROLS READY	BBU OPTIONS ²	CORDS & PLUGS ³
HLS = Linear Strip Gen 3		SELECTABLE	U = 120-277V H = 480V ²	F = Frosted N = Narrow (made to order only or field installed)		CS = Color Selectable (4000K/5000K)	CR = Controls Ready	BLANK = None EM = Battery Backup	[BLANK] = None -C = Cord -C1 = 10-FT 3 Wire Cord W 5-15P (120V, 15A) -C2 = 10-FT 3 Wire Cord W L7-15P (277V, 15A) -C4 = 10-FT 3 Wire Cord W L8-20P (480V, 20A)
		FIXED							
		155= 155W							

1. Driver transient protection is 6KV. If additional 10KA surge protection is required, contact MaxLite.
 2. 480V and Battery Back up option aren't compatible.
 3. Contact MaxLite if Cord and Plug options are required for Emergency Back Up units.



10-year standard warranty with labor allowance (further details available at www.maxlite.com/warranties)

Warranty Limitations: Product must be rated for application per the Product Data Sheet (PDS); operated ≤16 hrs; in ambient temperatures -4°F to 77°F. If ambient temperatures fall outside the -4°F to 77°F range, product is warranted for 5 years according to the operating temperature range specified on the PDS. Up to \$25/unit; registration required. Additional coverage may be available for purchase; contact MaxLite. Excludes EM/MS versions; component warranty applies.






LED High Bay Linear HL Select Series

Stocked Items

ORDER CODE	MODEL NUMBER	DLC PRODUCT ID#	PRIMARY USE DESIGNATION	CLASSIFICATION
110407	HLS-078WUF-CSCR			
110701	HLS-135WUF-CSCR			
110411	HLS-200WUF-CSCR			
110412	HLS-270WUF-CSCR			
110409	HLS-155UF-CSCR			
110419	HLS-078WUF-CSCREM			
110703	HLS-135WUF-CSCREM			

Sensor

SENSOR	TECHNOLOGY	DIMMING	DAYLIGHT HARVESTING	REMOTE CONTROL	QR CODE
CN-RDMSW	PIR motion sensing, Photoelectric	Bi-Level	Continuous Adjustment Mode (CAM)	CN-REMOTE	
NN-RDMSW	PIR motion sensing, Photoelectric & Bluetooth networking	Bi-Level	Continuous Adjustment Mode (CAM)	c-Max App (iPhone or Android)	
NN-RDW	Bluetooth Networking	N/A	N/A	c-Max App (iPhone or Android)	

LED High Bay Linear

HL Select Series

Accessories (Sold Separately)

ORDER CODE	MODEL NUMBER	DESCRIPTION	IMAGE
110904	HLS-PMKIT1	PIPE MOUNT KIT FOR HLS 1.4ft, 1.9ft, 2.6ft, 3.7ft (for 120-277V models)	
110905	HLS-PMKIT2	PIPE MOUNT KIT FOR HLS 1.4ft, 1.9ft (for 480V models)	
110906	HLS-PMKIT3	PIPE MOUNT KIT FOR HLS 2.6ft (for 480V models)	
110907	HLS-PMKIT4	PIPE MOUNT KIT FOR HLS 3.7ft (for 480V models)	
110908	HLS-SMKIT1	PIPE MOUNT KIT FOR HLS 1.4ft, 1.9ft, 2.6ft, 3.7ft (for 120-277V models)	
110909	HLS-SMKIT2	PIPE MOUNT KIT FOR HLS 1.4ft, 1.9ft, 2.6ft, 3.7ft (for 480V models)	
110910	HLS-WGW1	WIREGUARD FOR 1.4FT HLS	
110911	HLS-WGW2	WIREGUARD FOR 1.9FT HLS	
110912	HLS-WGW3	WIREGUARD FOR 2.6FT HLS	
110913	HLS-WGW4	WIREGUARD FOR 3.7FT HLS	
110914	HLS-NLENS1	NARROW BEAM LENS FOR 1.4FT HLS (2pc)	
110915	HLS-NLENS2	NARROW BEAM LENS FOR 1.9FT HLS (2pc)	
110916	HLS-NLENS3	NARROW BEAM LENS FOR 2.6FT HLS (2pc)	
110917	HLS-NLENS4	NARROW BEAM LENS FOR 3.7FT HLS (2pc)	
74138	MLCHKLSU15	Y CABLE WITH GRIPPER CINCH AND TOGGLES 15'	
c-Max Basic			
105567	CN-REMOTE	CONTROL NODE REMOTE CONTROL	
105565	CN-RDMSW**	CONTROL NODE ROUND, WHITE	
c-Max Network			
105892	NN-RTW	NETWORK NODE RECTANGULAR, WHITE	
108392	WNS5-W	WALL NETWORK SWITCH (BLUETOOTH) WHITE	
105905	NN-RDMSW**	NETWORK NODE ROUND, WHITE	
106318	NPP-300W	120-277V NETWORK POWER PACK 300W MAX	

LED High Bay Linear

HL Select Series

Specifications

Specifications	HLS-078W				HLS-135W	
	Length	1.4 FT				1.9 FT
Nominal Wattage (W)**	78W	92W	115W	135W	155W	185W
Lumens Delivered (lm)	12012, 12090	13984, 14076	17250, 17365	20790, 20925	23560, 23715	27750, 27935
Nominal Efficacy (lm/W)	154, 155	152, 153	150, 151	154, 155	152, 153	150, 151
Lumens Delivered at BBU mode (lm)	3750 lm (EM suffix)					
CCT*	4000K-5000K*					
CRI	≥ 80					
L70 Lumen Maintenance	100,000 hrs					
Dimming Technology	0-10V					
Dimming Range	10-100%					
Input Voltage	120-277V AC, 347-480V AC					
Surge Protection	6 kV (Contact Maxlite, if additional surge requirements)				10 kV	
Power Factor	≥ 0.9					
Mounting	Suspended (Chain and V Hooks - Standard)					
Housing	Sheet Steel					
Diffuser	Frosted PMMA (Polymethyl Methacrylate)					
Humidity	10% to 80% RH Non-Condensing					
Operating Temperature	-4°F to 122°F (-20°C to 50°C), except for BBU models. BBU models: 32°F to 122°F (0°C to 50°C)					
Certifications	UL listed, RoHS Compliant, FCC					
Qualifications	TBD					
Warranty	10 years					

* Factory default CCT is 5000K.

**Factory Default wattage is set to lowest value.



LED High Bay Linear HL Select Series

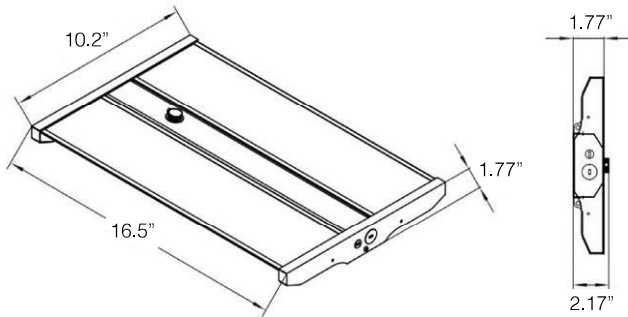
Specifications	HLS-155		HLS-200W				HLS-270W	
Length	1.9 FT		2.6 FT				3.7 FT	
Nominal Wattage (W)**	155W	200W	230W	270W	270W	340W	400W	
Lumens Delivered (lm)	23405, 23250*	30800, 31000	34960, 35190	40500, 40770	41580, 41850	51680, 52020	60000, 60400	
Nominal Efficacy (lm/W)	151, 150*	154, 155	152, 153	150, 151	154, 155	152, 153	150, 151	
Lumens Delivered at BBU mode (lm)	3750 lm (EM suffix)							
CCT*	4000K*, 5000K							
CRI	>= 80							
L70 Lumen Maintenance	100,000 hrs							
Dimming Technology	0-10V							
Dimming Range	10-100%							
Input Voltage	120-277V AC, 347-480V AC							
Surge Protection	10 kV							
Power Factor	>= 0.9							
Mounting	Suspended (Chain and V Hooks - Standard)							
Housing	Sheet Steel							
Diffuser	Frosted PMMA (Polymethyl Methacrylate)							
Humidity	10% to 80% RH Non-Condensing							
Operating Temperature	-4°F to 122°F (-20°C to 50°C), except for BBU models. BBU models: 32°F to 122°F (0°C to 50°C)							
Certifications	UL listed, RoHS Compliant, FCC							
Qualifications	TBD							
Warranty	10 years							

* Factory default CCT is 5000K.

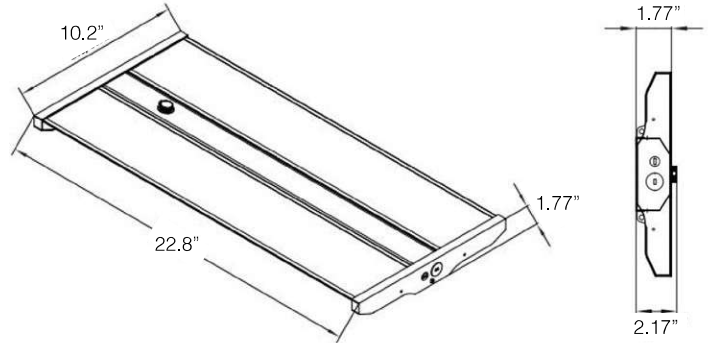
**Factory Default wattage is set to lowest value.

LED High Bay Linear HL Select Series

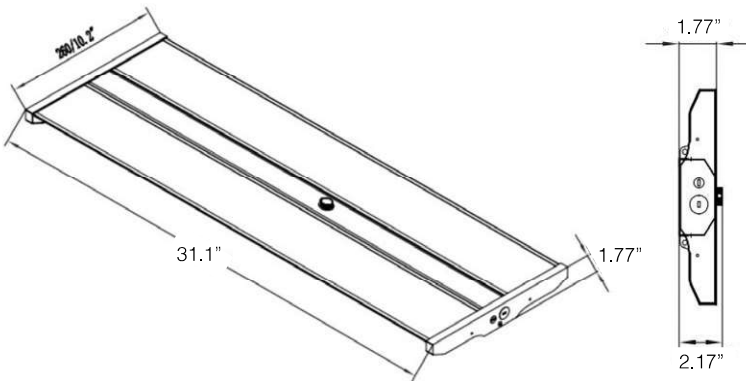
Dimensions



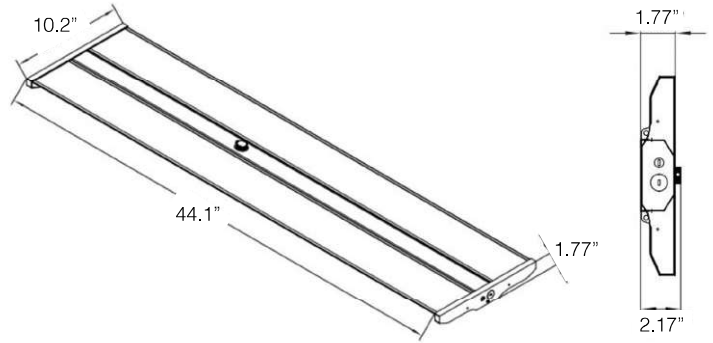
1.4 FT - 78W/ 92W/ 115W (Wattage Selectable)



1.9 FT - 135W/ 155W/ 185W (Wattage Selectable),
155W (Fixed Wattage)



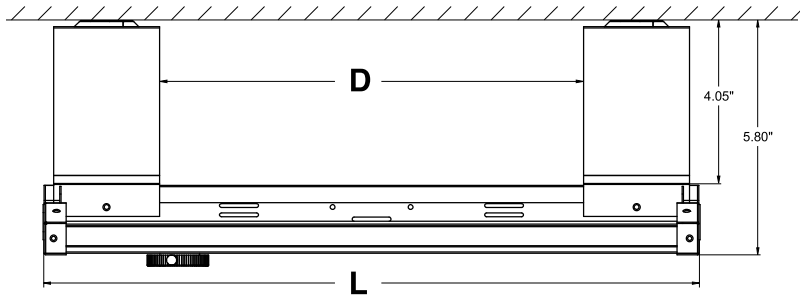
2.6 FT - 200W/ 230W/ 270W (Wattage Selectable)



3.7 FT - 270W/ 340W/ 400W (Wattage Selectable)

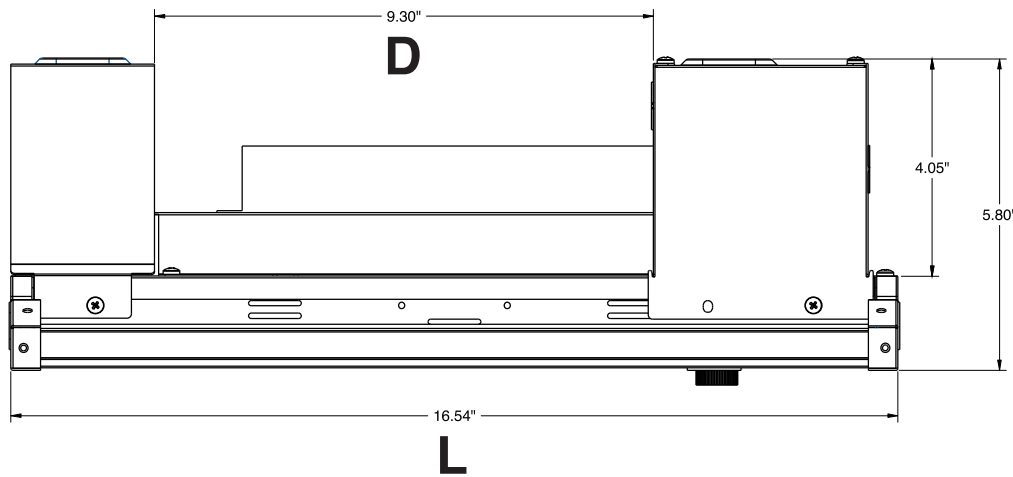
LED High Bay Linear HL Select Series

Surface Mount Kit Dimensions (For 120-277V Models)



	LENGTH OF FIXTURE (L)	INNER DISTANCE BETWEEN THE 2 SMK BRACKETS (D)
1.4FT - 78W/92W/135W	16.54"	10.71"
1.9FT - 135W/155W/185W	22.83"	17.01"
2.6FT - 200W/230W/ 270W	31.10"	25.28"
3.7FT - 270W/ 340W/ 400W	44.09"	38.27"

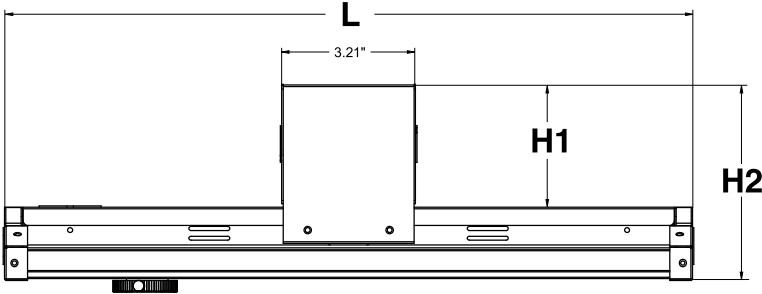
Surface Mount Kit Dimensions (For 480V Models)



	LENGTH OF FIXTURE (L)	INNER DISTANCE BETWEEN THE 2 SMK BRACKETS (D)
1.4FT - 78W/92W/135W	16.54"	9.30"
1.9FT - 135W/155W/185W	22.83"	15.30"
2.6FT - 200W/230W/ 270W	31.10"	25.28"
3.7FT - 270W/ 340W/ 400W	44.09"	38.27"

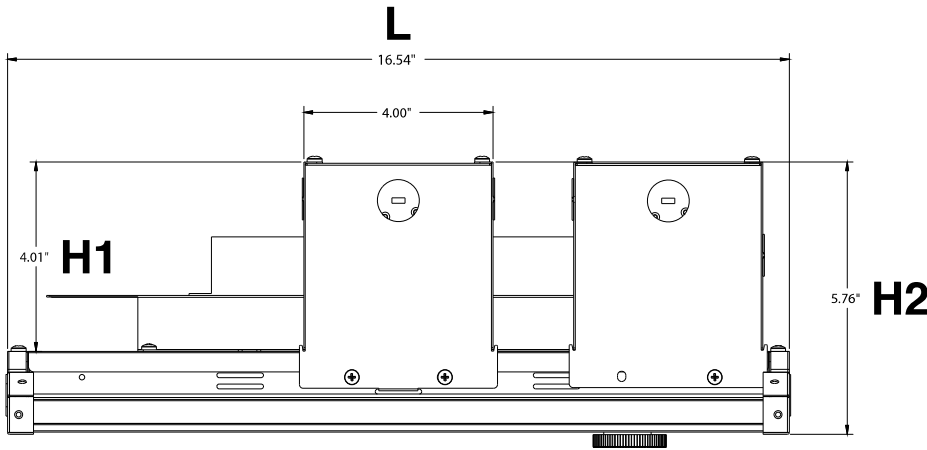
LED High Bay Linear HL Select Series

Pipe Mount Kit Dimensions (For 120-277V Models)



	LENGTH OF FIXTURE (L)	HEIGHT FROM TOP OF THE PMK BRACKET TO THE TOP OF THE HOUSING (H1)	HEIGHT FROM TOP OF THE PMK BRACKET TO THE BOTTOM OF THE HOUSING (H2)
1.4FT - 78W/92W/135W	16.54"	2.94"	4.70"
1.9FT - 135W/155W/185W	22.83"	2.94"	4.70"
2.6FT - 200W/230W/ 270W	31.10"	2.94"	4.70"
3.7FT - 270W/ 340W/ 400W	44.09"	2.94"	4.70"

Pipe Mount Kit Dimensions (for 480V models)



	LENGTH OF FIXTURE (L)	HEIGHT FROM TOP OF THE PMK BRACKET TO THE TOP OF THE HOUSING (H1)	HEIGHT FROM TOP OF THE PMK BRACKET TO THE BOTTOM OF THE HOUSING (H2)
1.4FT - 78W/92W/135W	16.54"	4.01"	4.76"
1.9FT - 135W/155W/185W	22.83"	4.01"	4.76"
2.6FT - 200W/230W/ 270W	31.10"	4.01"	4.76"
3.7FT - 270W/ 340W/ 400W	44.09"	4.01"	4.76"